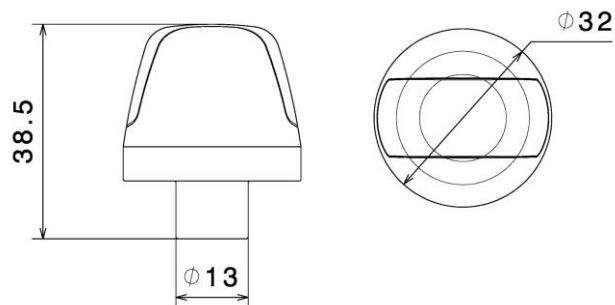


**E4**

E4-50R-00.2658

<b>Issued by:</b>	RDW – Vehicle Technology Division Zoetermeer Europaweg 205 PO Box 777 2700 AT Zoetermeer
<b>Place &amp; Date of type-approval:</b>	Zoetermeer, 15.01.2016
<b>Report No.:</b>	2187375-PHO 15-237-07
<b>Issued by:</b>	DEKRA Certification B.V. - Photometry Utrechtseweg 310, 6218 AR Arnhem P.O. Box 5185, 6802 ED Arnhem The Netherland
<b>Date of issue:</b>	05.01.2016
<b>Approval identification:</b>	E4-50R-00.2658

**Product Codes:** FR060B, FR060CH.**Technical Drawing:**

<b>Marking:</b>	Printed in low relief by stamping.
<b>Field of application:</b>	2 or 3 wheel motorcycles and vehicles treated as such. (PTWs, ATVs, Scooters, Motorcycles, Moped)

